



SY31-9058-0

**IBM System/36
5363 System Unit
Installation Instructions for
Feature Cards**

IBM System/36

5363 System Unit
Installation Instructions for
Feature Cards

Order Number
SY31-9058-0

Federal Communications Commission (FCC) Statement

Warning: This equipment generates, uses, and can radiate radio frequency energy and if not installed and used in accordance with the instruction manual, may cause interference to radio communications. It has been tested and found to comply with the limits for a Class A computing device pursuant to Subpart J of Part 15 of FCC rules, which are designed to provide reasonable protection against such interference when operated in a commercial environment. Operation of this equipment in a residential area is likely to cause interference in which case the user at his own expense will be required to take whatever measures may be required to correct the interference.

Instructions to User: In many instances, shielded cables and connectors must be used for connection to peripherals. Proper IBM cables are available from authorized dealers. The manufacturer is not responsible for any radio or television interference caused by using other than the recommended cables or by unauthorized modifications to this equipment; it is the responsibility of the user to correct such interference.

If necessary, the user should consult the dealer or an experienced radio/television technician for additional suggestions. The user may find the following booklet prepared by the Federal Communications Commission helpful:

How to Identify and Resolve Radio-TV Interference Problems

This booklet is available from the following:

FOB Public Contact Branch Room 725 1919 M St. NW Washington, DC 20554 Tele. (202) 634-1940	Consumer Assistance and Small Business Division Room 254 1919 M St. NW Washington, DC 20554 Tele. (202) 632-7000
--	---

First Edition (September 1987)

The drawings and specifications contained herein shall not be reproduced in whole or in part without the written permission of IBM.

IBM has prepared these installation instructions solely for the customer service representatives in the maintenance or repair of the specific machines discussed. IBM makes no claim that the manual is suitable for any other purpose.

Information contained in this manual is subject to change from time to time. Any such change will be reported in subsequent revisions or technical newsletters.

References in this publication to IBM products, programs, or services do not imply that IBM intends to make these available in all countries in which IBM operates. Any reference to an IBM licensed program in this publication is not intended to state or imply that only IBM's licensed program may be used. Any functionally equivalent program may be used instead.

Publications are not stocked at the address given below. Requests for IBM publications should be made to your IBM marketing representative or IBM-approved remarketer.

This publication could contain technical inaccuracies or typographical errors. A form for readers' comments is provided at the back of this publication. If the form has been removed, comments may be addressed to IBM Corporation, Information Development, Department 245, Rochester, Minnesota, U.S.A. 55901. IBM may use or distribute whatever information you supply in any way it believes appropriate without incurring any obligation to you.

Contents

Section 1. Before Installing a New Feature	1-1
Section 2. Installing the Work Station Feature	2-1
Section 3. Installing Communications Features	3-1
Section 4. Connecting Communications Cables	4-1
Section 5. Customizing for Features	5-1
Section 6. Installing Microcode	6-1

About This Manual

This manual contains the procedures and information necessary to install or remove the Work Station feature card or Communications card(s) for the 5363 System Unit.

This manual uses a specific range of words so that the text can be understood by customer engineers in countries where English is not the normal language.

It is assumed that the hardware service representative using this manual has been trained on the IBM 5363 System Unit, as described in the *System/36-5363 New Product Planning Technical Service Letter*.

How this manual is arranged . . .

Sections 1 through 3 present the steps required to install or remove a feature, Section 4 contains instructions for installing communications cables and identifier labels, and Sections 5 and 6 contain information for configuration and installing microcode.

How to use this manual . . .

Each step that you perform is identified with two numbers. The first number identifies the section and the second number identifies the step in that section.

When you complete a step, go to the next step.

Some steps will ask you questions. Because of how you answer the question, you might not always go to the next step.

Words and art that appear with each step are additional information you might need to complete the task. Always read the information in the step first and then the additional information.

Note: To prevent problems during feature installation, you should follow the instructions in this manual step by step.

Related Publications

Customer/Operator Publications

- *Setting Up Your Computer – 5363, SA21-9926*, contains procedures to:
 - Install the system
 - Attach work stations
 - Attach communications lines
- *Performing the First System Configuration for Your Computer – 5363, SC21-9686*, contains information needed to configure a new system.
- *Installing and Customizing Your System – 5363, SA21-9929*, contains information needed to install and customize a new system.
- *Operating Your Computer – 5363, SC21-9685*, contains system operating procedures for:
 - Subconsole operators
 - System console operators
 - Alternative console operators
- *Using Your Display Station – 5363, SC21-9692*, contains display operating procedures for:
 - Command display station operators
 - Data display station operators
- *System Messages, SC21-7938*, contains the system, licensed program, and utility program displayed messages, their causes, and their recovery procedures.
- *System Reference, SC21-9020*, contains information to perform tasks that use system commands, procedures, and OCL statements.
- *System Problem Determination – 5363, SC21-9684*, contains error analysis information to isolate and determine the cause of system and communications problems.

Service Publications

- *5363 System Reference Codes (SRC), SY31-9055*, contains valid SRCs with probable failing FRUs, FRU part numbers, and MIM references.
- *5363 System Unit Maintenance Library, SY31-9054*.

Safety

Danger and Caution Notices

In this manual, the word *DANGER* informs you of conditions that could cause personal injury or death. (The word *HAZARDOUS* or *WARNING* may appear on machine labels and field-supply items.) The word *CAUTION* informs you of an action that could cause damage to a program, to a device or system, or to data.

There are blank lines below each notice. You can write these notices in your own words on the blank lines.

Caution Notices in This Manual

Caution notices appear in the following procedures:

- Section 1, Step 1.0
- Section 2, Step 2.1
- Section 3, Steps 3.0 and 3.5
- Section 4, Step 4.1

Rules for Safety

If you know the safety rules for working with electrical and mechanical equipment, and if you observe the rules, you can work safely with IBM equipment.

Do not fear electricity, but respect it.

While you are maintaining IBM equipment, observe every safety precaution possible and the following safety rules.

Work Environment

- Do not work alone in hazardous conditions or near equipment that has dangerous voltage.
- Always look for possible hazards in your work environment. Examples of hazards are: moist floors, nongrounded extension cables, power surges, and missing grounds.
- Do not perform any action that makes the product unsafe or that causes hazards for customer personnel.
- Before you start the equipment, ensure that other service representatives and customer personnel are not in a hazardous position.
- Care should be taken to make certain that hair and clothing do not:
 - Get caught in moving parts
 - Contact live parts that may involve the risk of electric shock
- Lift the equipment or parts by standing or pushing up with your stronger leg muscles; this action removes the strain from the muscles in your back. Do not lift equipment or parts that are too heavy for you.
- Put removed machine covers in a safe place while you are servicing the machine. Reinstall the covers before returning the machine to the customer.
- Always keep your tools away from walk areas so that people cannot trip over them.
- Observe good housekeeping practices in the area of the machines while you are performing maintenance and after completing it.
- After maintenance, reinstall all safety devices, such as guards, shields, labels, and grounding devices. Exchange safety devices that are worn or defective. Remember, the safety devices protect you from a hazard. You destroy their purpose if you do not reinstall them when you have completed the service call.

Electrical Safety

- Always disconnect the power cord before you work on a machine.
Note: A non-IBM attachment to an IBM machine may be powered from another source and may be controlled by a different switch or circuit breaker.
- Switch off all power and disconnect the power cord before:
 - Removing or assembling the main units of the equipment
 - Working near power supplies
 - Inspecting power supplies
 - Installing changes in machine circuits
- If you really need to work on equipment that has exposed live electrical circuits, observe the following precautions:
 - Ensure that another person who understands the power-off controls is near you. Another person must be there to switch off the power, if necessary.
 - Do not wear jewelry, chains, metal-frame eyeglasses, or other personal metal objects. Remember, if the metal touches the machine, the flow of current increases because the metal is a conductor.
 - Use only insulated probe tips or extenders. Remember, worn or cracked insulation is unsafe.
 - Use only one hand while you are working on live equipment. Keep the other hand in your pocket or behind your back. Remember, there must be a complete circuit for an electrical shock to occur. This precaution prevents your body from completing the circuit.
 - When you use a tester, set its controls correctly and use insulated probes that have the correct electrical specification.
 - Do not touch objects that are grounded, such as metal floor strips, machine frames, or other conductors. Use suitable rubber mats obtained locally, if necessary.
- Never assume that power has been removed from a circuit. First, ensure that power has been removed.
- If an electrical accident occurs:
 - Use caution. Do not be a victim yourself.
 - Remove the power plug from the customer outlet.
 - Obtain immediate medical aid.

Mechanical Safety

Do not touch moving mechanical parts when you are lubricating a part, checking for play, or doing similar work.

Summary

Prevention is the main aid to electrical safety. Always think about electrical safety and use good practice, for example:

- Ensure that the customer's power receptacle matches the IBM equipment specifications.
- Inspect power cables and plugs; check for loose, damaged, or worn parts.
- Review the procedures in the maintenance documents before you remove a part that can hold an electrical charge from the machine. Carefully discharge the necessary parts exactly as instructed by the procedure.

Never assume that a machine or a circuit is safe. No machine is always completely safe. You may not know the exact condition of a machine. For example:

- The power receptacles could be wrongly wired.
- Safety devices or features could be missing or defective.
- The design could have a problem.
- The machine could have damage caused when it was shipped.
- The machine could have an unsafe change or attachment.
- A part could be defective, therefore causing a hazard.
- A part could be wrongly assembled.

These are some of the ways that the condition of the machine could affect safety. Before you start a service call or procedure, use good judgment and caution.

Section 1. Before Installing a New Feature

1.0

CAUTION:

Do not touch any part on the card. Hold the card only by the plastic edges to prevent possible electrostatic damage to the card.

Ensure that you have the following items before you start:

- Feature box(es)
 - Diskettes 61 and 62
-

1.1

If you are installing or removing the feature on an operating System/36, check with the system operator to ensure that all jobs have been completed, and all operators are signed off before turning off the computer.

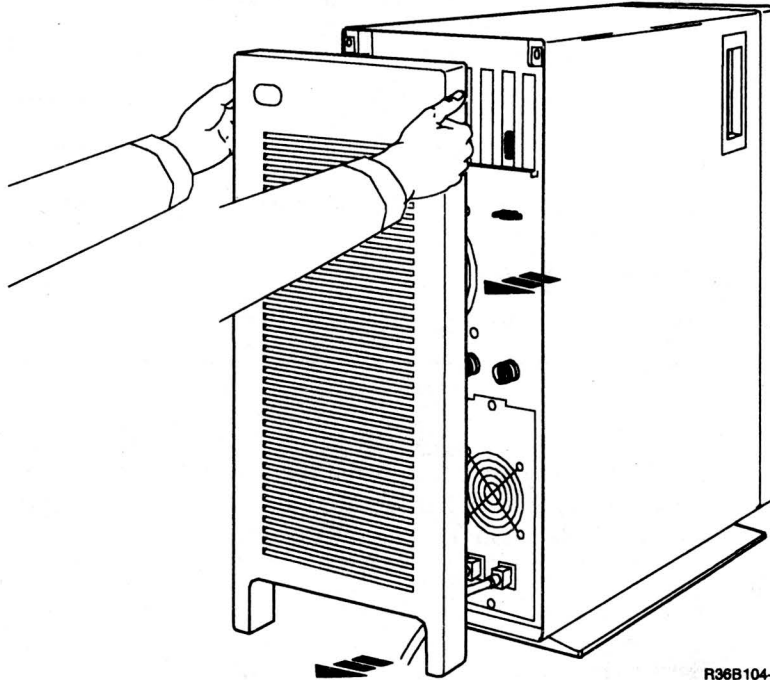
1.2

Ensure the system console is turned off.

1.3

To power off the system unit and remove the covers:

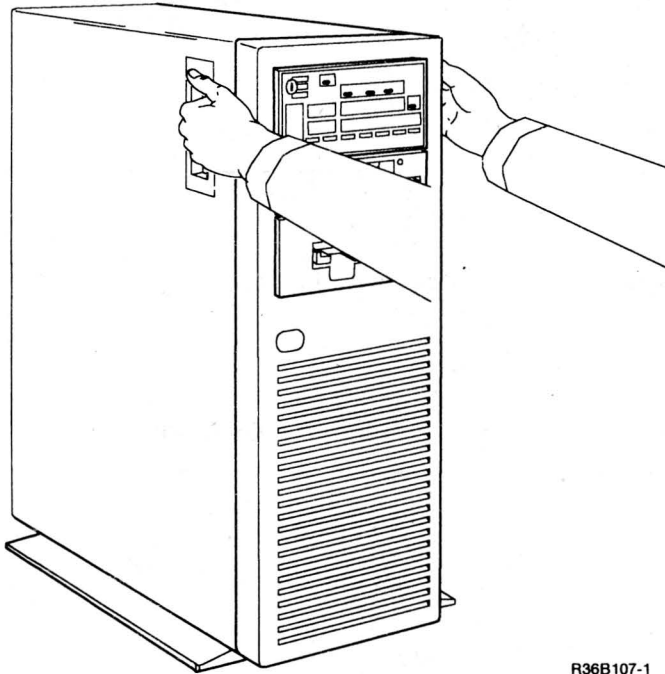
1. Set the power switch to O (Off).
2. Disconnect the power cord.
3. Set the Security switch to the Service position.
4. Remove the rear cover by pulling on the sides of the cover.



R36B104-1

5. Remove the two screws fastening the top cover at the upper rear position of the frame.

6. Remove the 5363 System Unit cover by sliding it from the rear to the front. It could be necessary to tilt the cover up to remove it from the frame.



Note: Install the cover by doing the preceding steps in reverse order.

1.4

Are you removing feature(s), or removing some features and installing others?

Yes

No



Go to 1.5.

Go to 1.12.

1.5

Are you removing the Work Station feature?

Yes

No



Go to 1.6.

Go to 1.9.

1.6

To remove the Work Station feature card:

- Remove the card from location A1-E2, (see 2.1).
 - Install the pass-through card in location A1-E2.
-

1.7

Are you removing a Communications feature?

Yes

No

↓

↓

Go to 1.9.

Go to 1.8.

1.8

Are you installing Communications feature(s)?

Yes

No

↓

↓

Go to 3.0.

Go to 4.0.

1.9

To remove the Communications feature card(s):

- Remove the card(s), (see 3.0).
- Install the filler(s) in place of the removed card(s).

Go to 1.10.

1.10

Are you installing the Work Station feature?

Yes

No



Go to 2.0.

Go to 1.11.

1.11

Are you installing Communications feature(s)?

Yes

No



Go to 3.0.

Go to 4.0.

1.12

Select a feature installation path.

WORK STATION

COMMUNICATIONS



Go to 2.0

Go to 3.0

Note: Features will be installed one at a time. If you have more than one feature to install, start from left to right. For example, if you are installing the Work Station feature and Communications feature(s), go to 2.0.

Section 2. Installing the Work Station Feature

2.0

Read the following points about the Work Station feature:

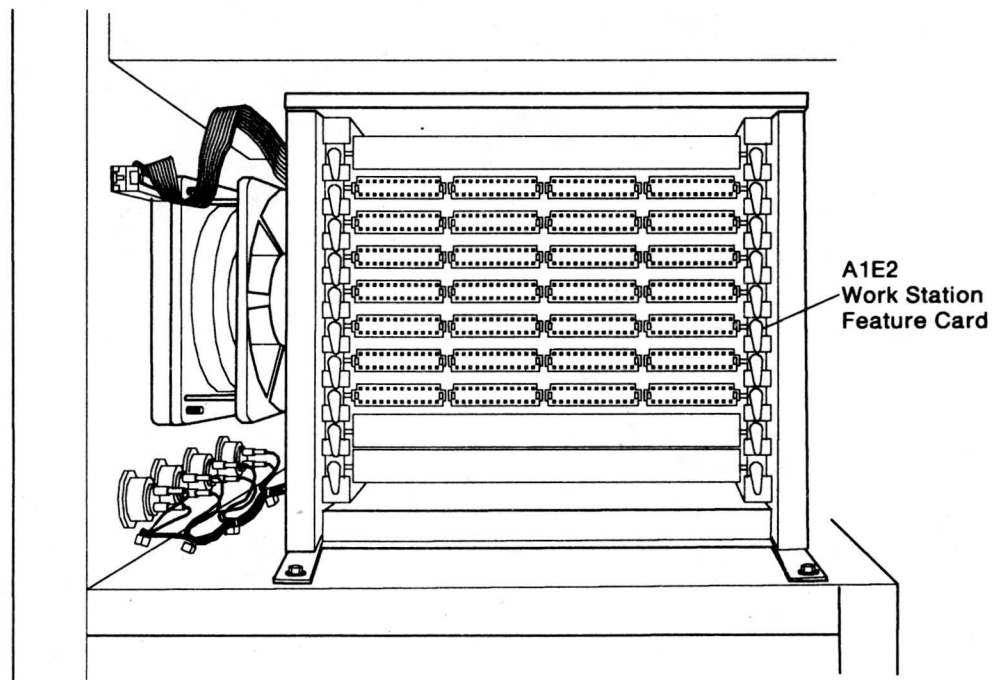
- The Work Station feature is installed in the A1 board.
- You have only one feature card to install.

2.1

CAUTION:

Do not touch any metal part on the card. Hold the card only by the plastic edges to prevent possible electrostatic damage to the card.

Remove the existing card from location A1-E2.



R36D130-0

2.2

Install the Work Station Feature card in location A1-E2.

2.3

Do you have a Communications feature to install?

Yes

No

↓

↓

Go to 3.0.

Go to 4.0.

Section 3. Installing Communications Features

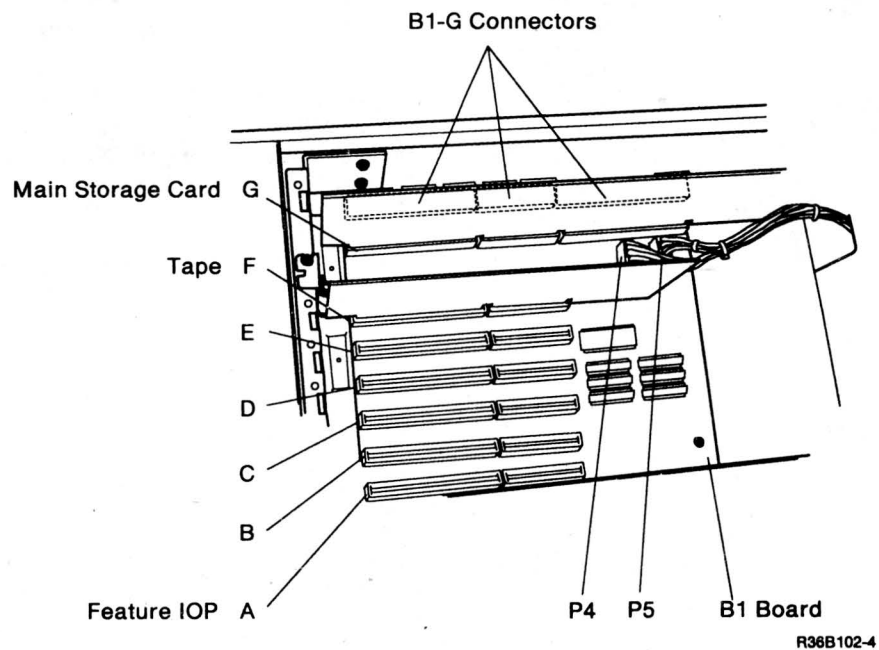
3.0

CAUTION:

Do not touch any metal part on the card. Hold the card only by the plastic edges to prevent possible electrostatic damage to the card.

Read the following points about the Communications features:

- The Communications features are installed in the B1 board.
- The Communications features can be installed in any available slot.
- Determine where you want to install the feature card.



Use the table below to determine the section describing instructions for installing that feature.

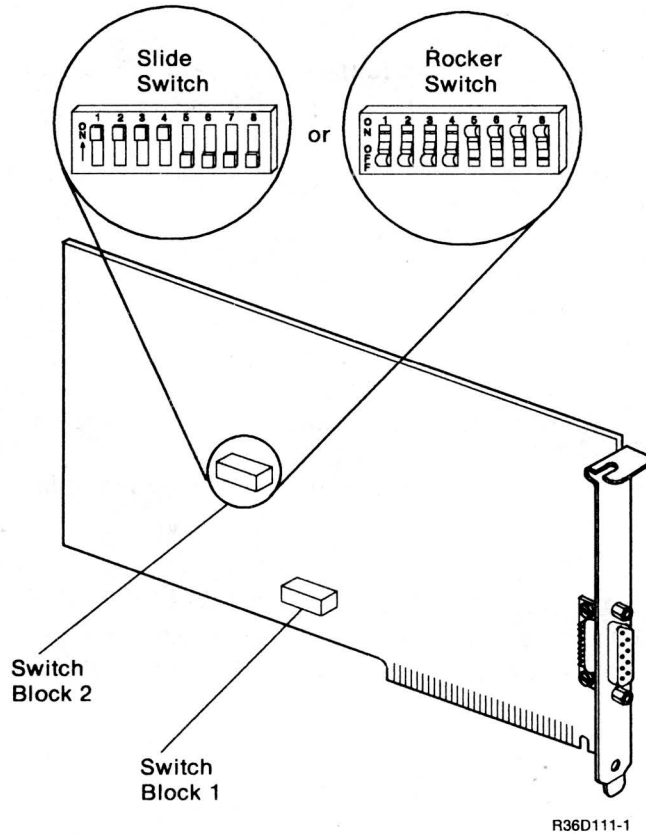
Feature Number	Description	Section
2610	Binary Synchronous Communications (BSC)	3.2
2615	Synchronous Data Link Control (SDLC) on line 1	3.3
2620	Serial/Parallel Adapter (ASYNC)	3.4
2625	IBM Realtime Interface Co-Processor for the first line on line 3 or 4	3.5
2630	RS-232-C Electrical Interface Board for the second line on line 3 or 4	3.5 (step 6)
2635	Local Area Network (LAN)	3.1

Note: ASYNC line 1, ASYNC line 2, BSC, SDLC line 1, and the IBM Realtime Interface Co-Processor can be installed in the system at the same time. However, because of hardware conflicts when running, the system will only configure the IBM Realtime Interface Co-Processor on lines 3 and 4 and ASYNC line 1. Reference the customer to *Preparing for Data Communications – 5363*, SA21-9932, for valid configurations.

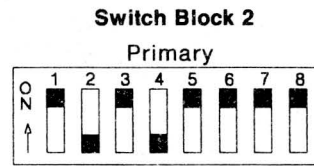
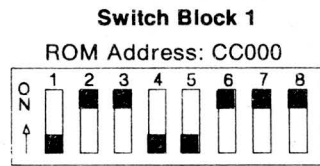
3.1 Local Area Network (LAN) Card

Remove the card from the box, set the switches as described, and then install the card in the machine.

Set Switch Block 1 and Switch Block 2 as shown in the following steps. Set a rocker switch by pressing the rocker down to the desired position.

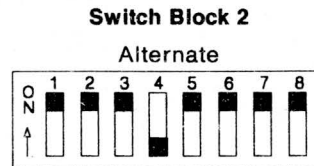
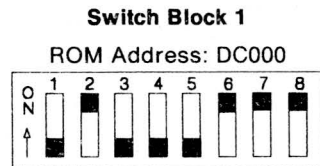


Set Switch Block 1 and Switch Block 2 on the first LAN card as shown in the following diagram.



R36D128-0

If you have *two* LAN cards in the same system unit, set Switch Blocks 1 and 2 on the second card as shown in the following diagram.



R36D129-0

The card is now ready to be installed in the position selected in 3.0.

Do you have another communications feature to install in the machine?

Yes

No



Go to 3.0 and locate the feature you want to install.

Go to 4.0.

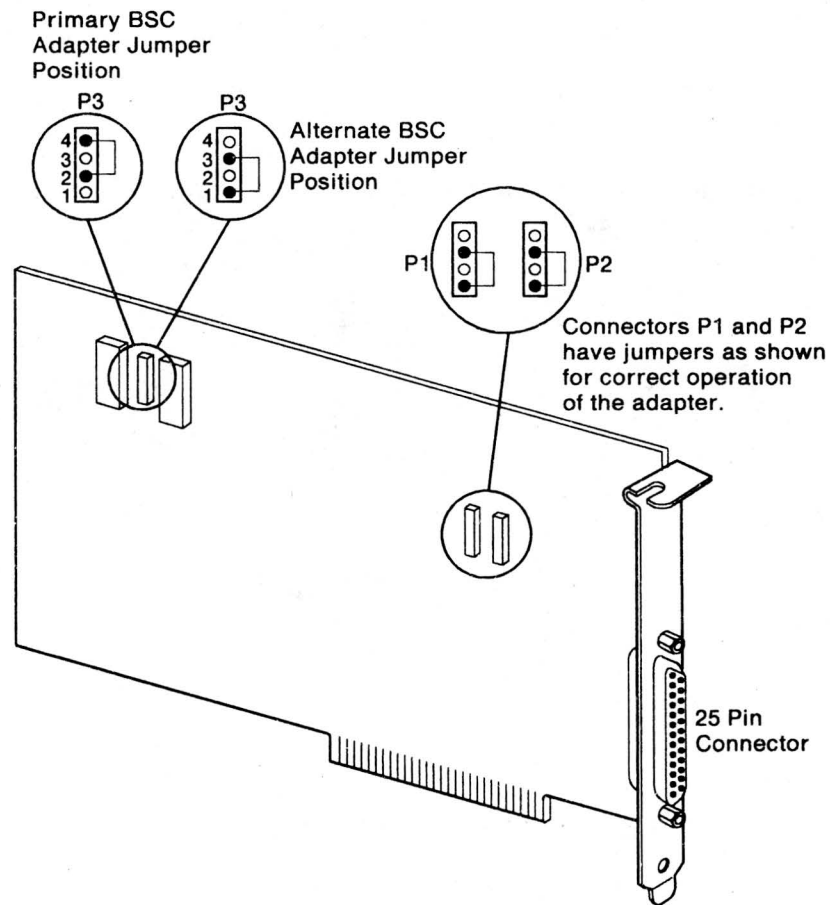
3.2 Binary Synchronous Communications (BSC) Card

Remove the card from the box, set the jumpers as described, and then install the card in the machine.

Install the jumper on P3:

- Installing the jumper on pins 2 and 4 selects the *primary* BSC adapter mode.
- Installing the jumper on pins 1 and 3 selects the *alternate* BSC adapter mode.
- Connectors P1 and P2 must have jumpers as shown for correct operation of the adapter.

Note: If you also have an SDLC adapter installed, you must set P3 as *primary*.



R36D112-2

The card is now ready to be installed in the machine.

Do you have another communications feature to install in the machine?

Yes

No

↓

↓

**Go to 3.0 and locate the feature
you want to install.**

Go to 4.0.

3.3 Synchronous Data Link Control (SDLC) Card

There are no pins, jumpers, or switches to set on this card. Remove the card from the box and install it in the machine.

Note: If you also have a BSC adapter installed, you must set P3 on the BSC card as *primary*, (see 3.2).

Do you have another communications feature to install in the machine?

Yes

No

↓

↓

**Go to 3.0 and locate the feature
you want to install.**

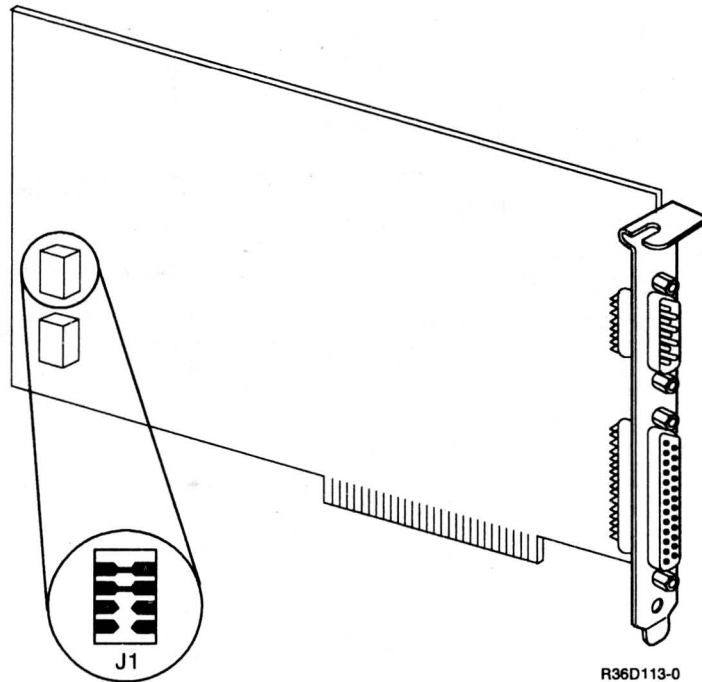
Go to 4.0.

3.4 Serial/Parallel Adapter (Used for ASYNC Communications)

Remove the card from the box, set J1 as described, and then install the card in the machine.

The Serial/Parallel adapter comes with J1 set to be used as serial adapter 1. If this is the desired setting, remove the card from the box and install it in the machine. Having J1 set for Serial/Parallel adapter 1 will cause it to be configured as line 2 ASYNC on the 5363.

If this adapter is being used as serial adapter 2, remove the module J1 and install it as shown below. To remove the module, insert a small flat-blade screwdriver under the module and lift up. Having J1 set for Serial/Parallel adapter 2 will cause it to be configured as line 1 ASYNC on the 5363.



The card is now ready to be installed in the machine.

Do you have another communications feature to install in the machine?

Yes

No

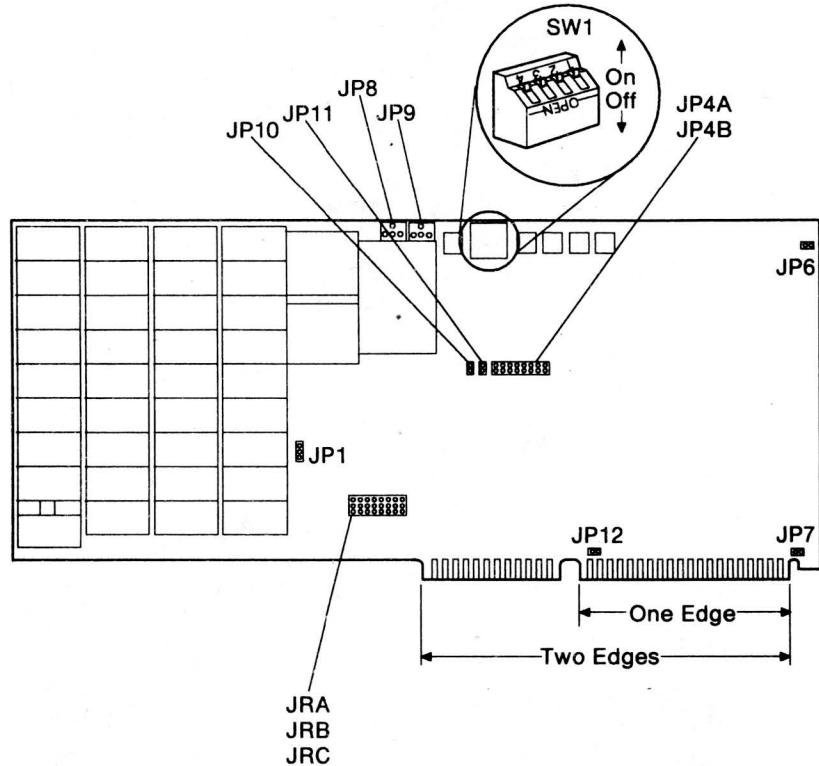


Go to 3.0 and locate the feature you want to install.

Go to 4.0.

3.5 IBM Realtime Interface Co-Processor Card

Remove the card from the box, set the switches and jumpers as described, and then install the card in the machine.

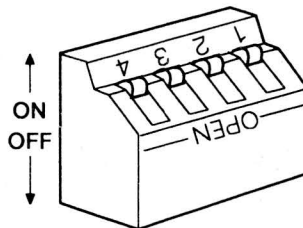


R36D124-2

1. Set switches 1, 2, 3, and 4 on SW1 to the ON position as shown.

Address Switch SW1 Settings.

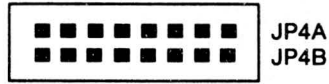
Switch Settings				Base Address (Hex)	Physical Card Designation
1	2	3	4		
ON	ON	ON	ON	02A0	0



R36D122-1

2. Set the jumpers on JP4A and JP4B as shown.

Interrupt-Acknowledge Level Jumper Positions



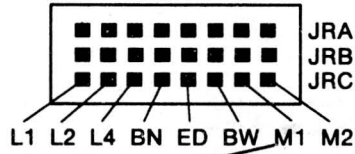
Interrupt Level	Jumper Configuration
4	

R36D121-1

3. Set the jumpers on JRA, JRB, and JRC as follows:

a. Set jumpers M1 and M2 as shown.

Memory-Type Jumper Positions

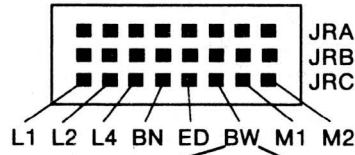


Memory-Type Connector	Jumper Configuration
M1 and M2 (always jumpered as shown)	

R36D116-0

b. Set jumper BW as shown.

Bus-Width Jumper Positions

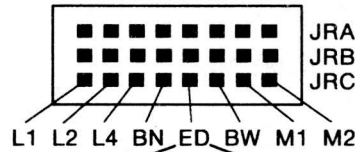


Bus-Width Connector (BW)	Jumper Configuration
16-Bit Bus	

ed. R36D114-0

c. Set jumper ED as shown.

Edge-Connector Jumper Positions



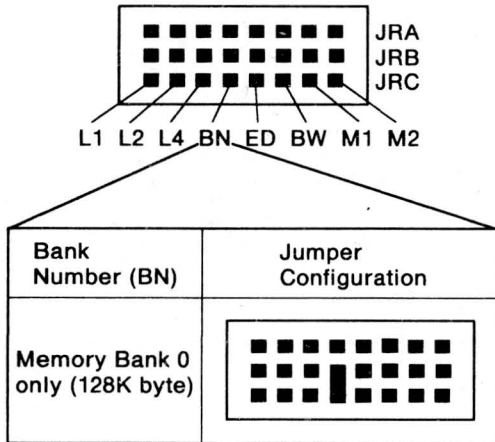
Edge Connector (ED)	Jumper Configuration
Co-Processor in Two Edge Expansion Slot	

ed. R36D115-0

R36D115-0

d. Set jumper BN as shown.

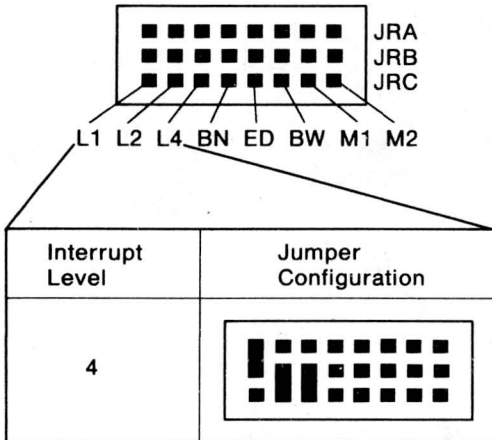
Bank-Number Jumper Positions



R36D118-1

e. Set jumpers L1, L2, and L4 as shown.

Interrupt-Request Level Jumper Positions

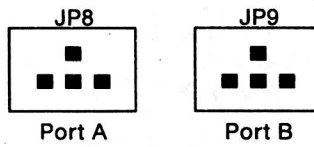


R36D117-0

4. Some IBM Realtime Interface Co-Processor cards will not have JP12. To use a card which *does* have a JP12, a jumper must be installed.

5. Set the jumpers on JP8 and JP9 as shown.

Communications-Clock Jumper Positions Port A or Port B

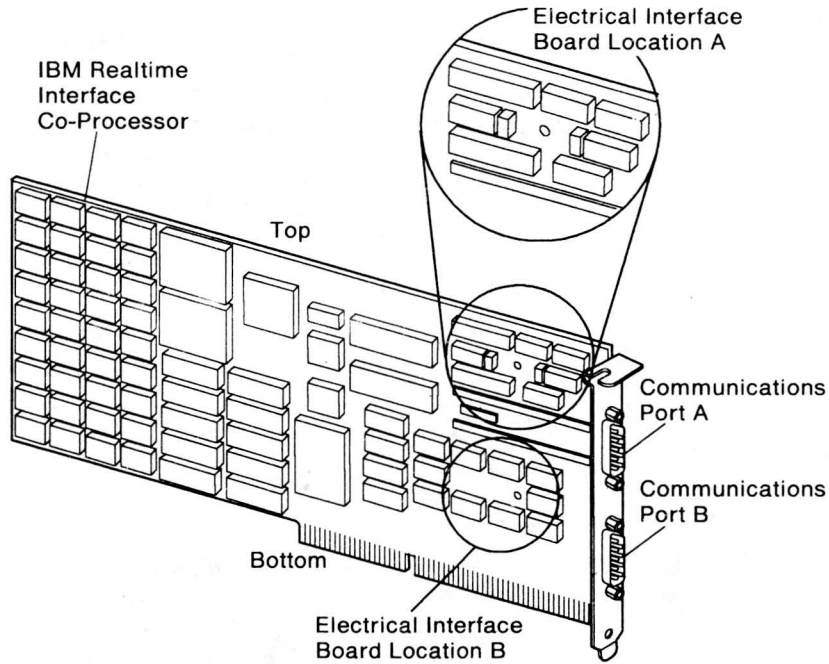


Function	Configuration (JP8)	Configuration (JP9)
Remote Clock From Electrical Interface Board		

R36D119-0

6. Install the RS-232-C electrical interface board(s) on the IBM Realtime Interface Co-Processor card. One electrical interface board can be installed in location A to support communications Port A and another in location B to support communications Port B. An electrical interface board installed on location A will configure as line 3 on the 5363. An electrical interface board installed in location B will configure as line 4 on the 5363.

Electrical Interface Board Installation



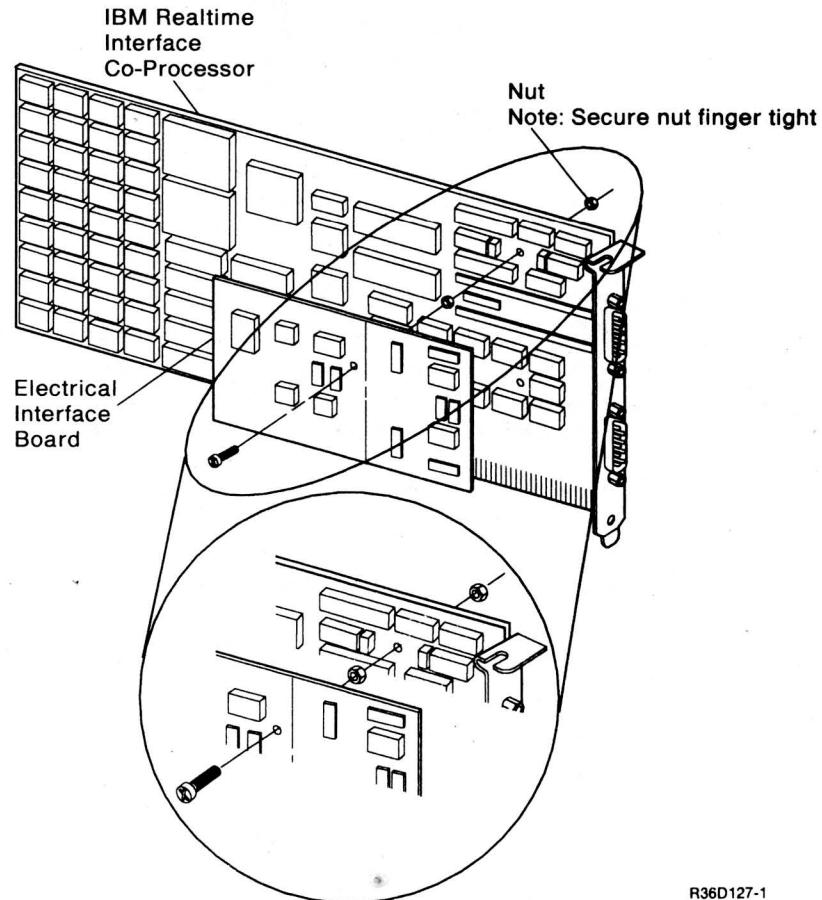
CAUTION:

The pins on the electrical interface board are easily bent and must be accurately aligned with the connector before it is pressed into place. Ensure that the interface co-processor and the electrical interface board are correctly in position as shown before pressing them into place.

CAUTION:

Substituting the plastic bolt and nuts with conductive materials (metal) can damage the device.

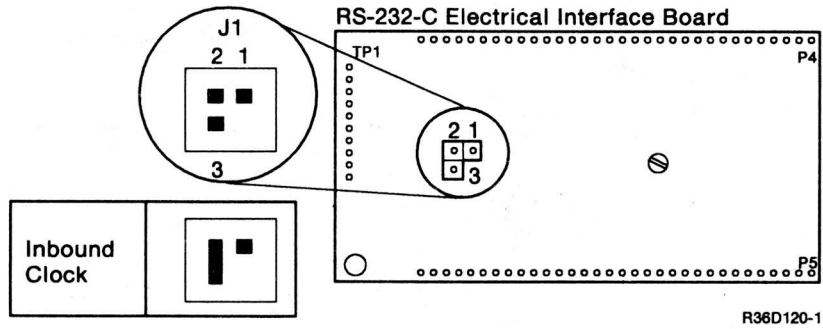
- a. Insert the plastic bolt through the hole located in the center of the electrical interface board.
 - b. Tighten the first plastic nut to the installed bolt as shown.
 - c. Align the pins on the electrical interface board with the sockets on the interface co-processor as shown. Use caution when working with the electrical interface board since the pins are very sharp.
 - d. Install the electrical interface board.
 - e. Inspect the alignment of the pins to ensure all pins are fully inserted into their corresponding sockets.
 - f. Finger-tighten the second plastic nut to the screw protruding through the selected hole in the interface co-processor. Do not over-tighten.
-



R36D127-1

7. On the RS-232-C electrical interface board, set jumper J1 as shown.

RS-232-C Jumper Positions



8. The card is now ready to be installed in the machine.

Do you have another communications feature to install in the machine?

Yes

No



Go to 3.0 and locate the feature you want to install.

Go to 4.0.

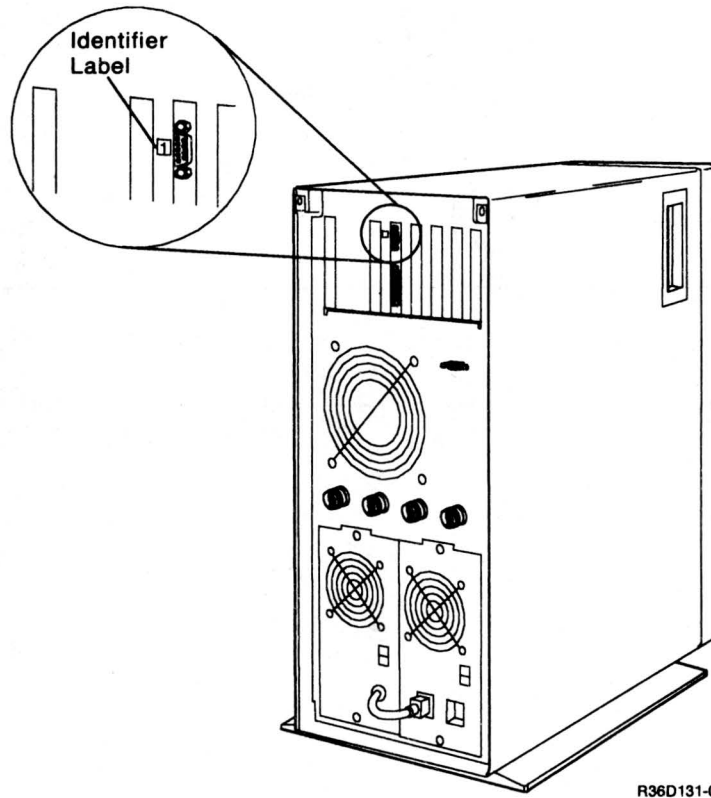
Section 4. Connecting Communications Cables

This section supplies instructions for attaching identifiers and communications cables.





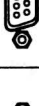


4.0

Attach the correct identifier label on the system unit to the left of the correct feature card connector.

The following shows the correct position of the identifier label for ASYNC line 1.



The following figure shows the types of identifiers used for the various communications features.

Feature Type	Identifier	Feature Card Connector
IBM Realtime Interface Co-Processor	<p style="text-align: center;">③</p> <p style="text-align: center;">④</p>	<p style="text-align: center;">Line 3 </p> <p style="text-align: center;">Line 4 </p>
ASYNC	<p style="text-align: center;">① = Line 1</p> <p style="text-align: center;">② = Line 2</p>	<p style="text-align: center;"></p> <p style="text-align: center;"></p> <p style="text-align: center;">Not Used </p>
SDLC	△	
BSC	◡	
LAN	<p style="text-align: center;">⑨ = Line 9</p> <p style="text-align: center;">⑩ = Line 10</p>	

R36D314-2

4.1

CAUTION:

Before installing the cable(s), ensure that the system unit is powered off and that the power cord is disconnected.

Connect the communications cable to the system unit.

4.2

Connect the opposite end of the cable to the correct device.

4.3

Do you have another communications cable to install?

Yes

No

↓

↓

Go to 4.0

Reinstall the covers
(See note in Section 1.3.)
Then go to 5.0.

Section 5. Customizing for Features

This section supplies instructions for customizing for the features.

5.0

Ensure that:

- The system console is turned on.
- MCODE DSKT 61 is in the 5363 System Unit.
- The power cord is plugged in.
- The Power switch is in the | (On) position.
- The Security switch is in the Service position.

Load the system from diskette 61:

1. Select function 3 (IPL Diagnostic Diskette).
2. Enter 1000.
3. Press the Start Function key.

IMPORTANT: Because additional aid is included in this manual, follow the instructions in the manual and not on the display.

Go to 5.1.

5.1

Go to the system console. When display 02 appears, select option 1.

```
02                SYSTEM/36 CONFIGURE-CUSTOMIZE PROGRAM
                  Configuration Verification

Is the following configuration list correct (1 = Yes, 2 = No)?
                  (See note 1)

Documentation group . . . . . United States
Disk storage size . . . . . 67.5M bytes
Keyboard character set . . . . . United States
Multinational character set . . . . . No
Computer location . . . . . Other (See note 2)
RPQ to be installed . . . . . No
Computer serial number. . . . . 1234567
Extended input fields supported . . No

Option: _  Press the Enter key

Note 1: Features installed will appear when option 1 is chosen
Note 2: Country other than Canada, Japan, or United States
```

Go to 5.2.

5.2

Display 35 appears.

Check to see that the items on display 35 match your needs.

```
35                SYSTEM/36 CONFIGURE-CUSTOMIZE PROGRAM
                  Configuration verification
                  Features Installed

Is the following configuration list correct (1 = Yes, 2 = No)?

Main Storage size . . . . . 1024K byte
Workstations supported . . . . . 16
Communications types
  Line 1 . . . . . PC Async
  Line 2 . . . . . PC Async
6157 Tape Drive supported . . . . . No
LAN Line 9 . . . . . IBM Token-Ring
LAN Line 10 . . . . . IBM Token-Ring

Option: _ Press the Enter key
```

- If you do not have an IBM Realtime Interface Co-Processor feature for communications, the display will have 2 lines for communication.
- If you have an IBM Realtime Interface Co-Processor feature for communications, the display will have 4 lines for communication.
- You should verify that all changes on display 35 are correct. For example, if you removed the Work Station feature, display 35 should show 16 work stations supported. If you have just installed the Work Station feature, display 35 should show 28 work stations supported.

The items to be checked are:

- **Main storage:** The size listed should be the storage size ordered.
- **Work stations supported:** The work stations supported include the system console, the system printer, and any additional local work stations. The number shown on display 35 represents the maximum number of work stations permitted for your system rather than the number you now support. The number of work stations permitted relies on the storage available and whether or not you use extended input fields, as follows:
 - If no Work Station feature is installed, 16 work stations are permitted. If extended input fields are used, support decreases to 8 work stations.
 - If the Work Station feature is installed, 28 work stations are permitted. If the extended input fields are used, support decreases to 14 work stations.
- **Communications types:** If you have remote work stations, the communications type is SDLC or X.25/SDLC. If you have a communications line to a remote system, it can be BSC, SDLC, ASYNC, or X.25/SDLC. (If you have none of these, you will see the words Not installed.)
- **6157 Tape Drive supported:** If you have a tape drive installed, you will see the word Yes.
- **LAN lines supported:** If you have LAN lines installed, you will see the words IBM Token-Ring. (If you do not have the feature, you will see the words Not installed.)

Do those items on Display 35 match the system features?

Yes

No

↓

↓

Reinstall the covers
(See note in Section 1.3)
Go to 6.0.

Go to 5.3.

5.3

Have you been here before?

Yes

No

↓

↓

If the same item(s) still do not match the system features, suspect software problems. If a different item does not match, go to 5.4.

Go to 5.4.

5.4

Type in 2 on display 35 and press the Enter key. Display 36 appears.

```
36                SYSTEM/36 CONFIGURE-CUSTOMIZE PROGRAM
                  Incorrect configuration
                  Features Installed

Select an item to be corrected:

1. Main Storage size . . . . . 1024K byte
2. Workstations supported . . . . . 16
3. Communications types
   Line 1 . . . . . PC Async
   Line 2 . . . . . PC Async
4. 6157 Tape Drive supported . . . . . No
5. LAN Line 9 . . . . . IBM Token-Ring
6. LAN Line 10 . . . . . IBM Token-Ring

Option: _ Press the Enter key
```

Select the option indicating which item is not correct on display 36 and press the Enter key.

The maximum number of work stations supported **where extended input fields are not supported** (as indicated before on display 02) is as follows:

- 16 (no work station expansion)
- 28 (work station expansion)

The maximum number of work stations supported **where extended input fields are supported** (as indicated before on display 02) is as follows:

- 8 (no work station expansion)
- 14 (work station expansion)

If you want to change the maximum number of work stations back to the number displayed earlier, return to step 5.0 by pressing the Attn key.

If the maximum number of work stations supported is not listed above or is not correct for your system, see *5363 System Unit Maintenance Information Manual*, SY31-9054.

If the item is installed as instructed and the problem still exists, set the power switches to the O (Off) position on all work stations attached to the 5363 System Unit and the 5363 System Unit. See *5363 System Unit Maintenance Information Manual*, SY31-9054.

After you have corrected any problem(s) listed in this step, return to 5.0 to continue in this manual.

Section 6. Installing Microcode

This section supplies instructions for installing your microcode.

The information takes approximately 7 to 9 minutes to be processed. You must remain at the computer to respond to the system's requests.

6.0

```
35                SYSTEM/36 CONFIGURE-CUSTOMIZE PROGRAM
                  Configuration verification
                  Features Installed

Is the following configuration list correct (1 = Yes, 2 = No)?

Main Storage size . . . . . 1024K byte
Workstations supported . . . . . 16
Communications types
  Line 1 . . . . . PC Async
  Line 2 . . . . . PC Async
6157 Tape Drive supported . . . . . No
LAN Line 9 . . . . . IBM Token-Ring
LAN Line 10 . . . . . IBM Token-Ring

Option: _ Press the Enter key
```

Type in 1 on display 35 and press the Enter key.

6.1

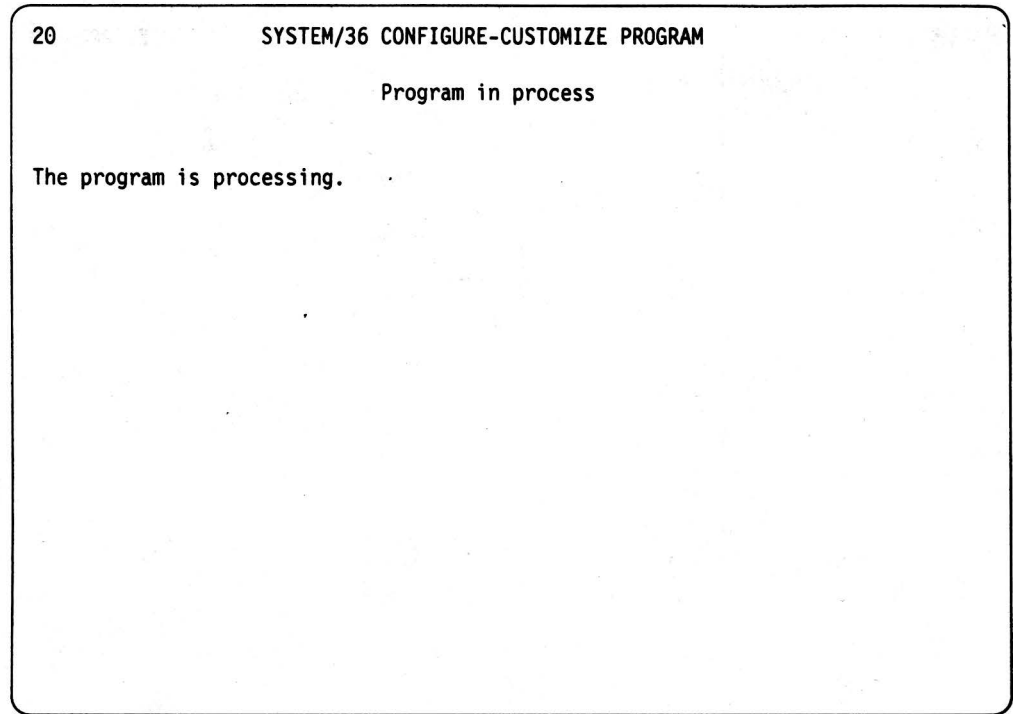
Display 03 appears.

03	SYSTEM/36 CONFIGURE-CUSTOMIZE PROGRAM
Feature installation	
Select one of the following:	
<ol style="list-style-type: none">1. No feature will be installed2. No more features will be installed3. More features will be installed4. Return to Configuration List display	
Option: _	
Press the Enter key	

Type in 2 and press the Enter key.

6.3

Display 20 appears when the program is processing.



Note: Display 20 will appear each time the MCODE DSKT 62 is processing.

6.4

When the information from MCODE DSKT 62 is processed, display 17 appears.

17 SYSTEM/36 CONFIGURE-CUSTOMIZE PROGRAM

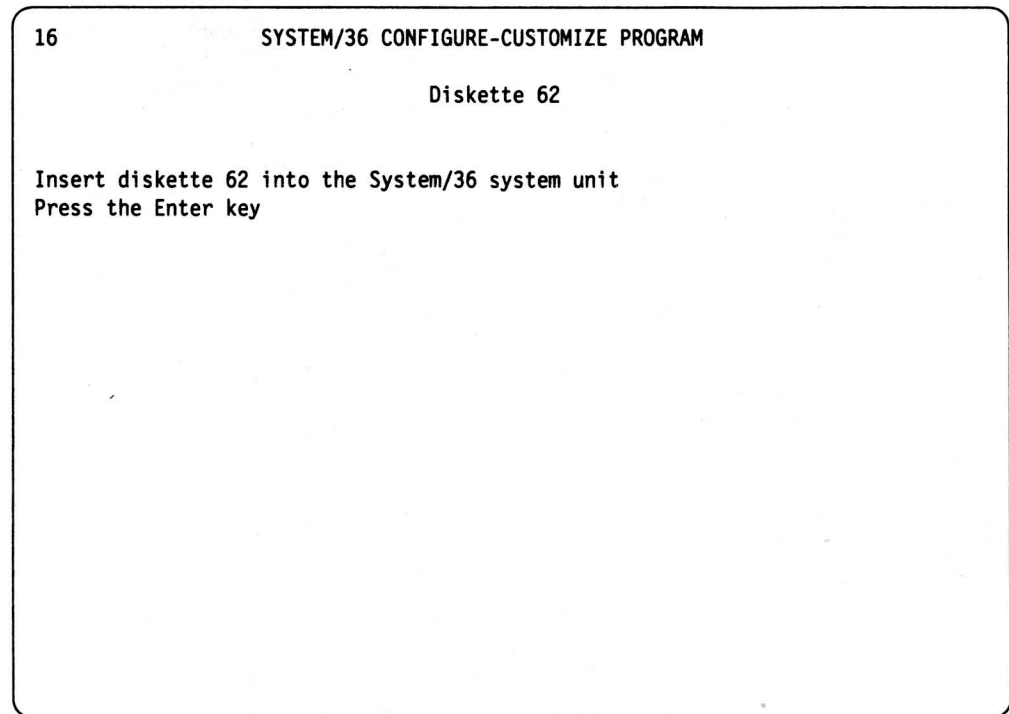
Diskette 61

Insert diskette 61 into the System/36 system unit
Press the Enter key

Remove MCODE DSKT 62 from the 5363 System Unit and insert MCODE DSKT 61. Press the Enter key.

6.5

When the information on MCODE DSKT 61 is processed, display 16 appears.



Remove MCODE DSKT 61 from the 5363 System Unit and insert MCODE DSKT 62. Press the Enter key.

6.6

When the information on the MCODE DSKT 62 is processed, display 17 appears.

```
17                SYSTEM/36 CONFIGURE-CUSTOMIZE PROGRAM

                Diskette 61

Insert diskette 61 into the System/36 system unit
Press the Enter key
```

Remove MCODE DSKT 62 from the 5363 System Unit and insert MCODE DSKT 61. Press the Enter key. Display 20 will appear.

6.7

Display 18 appears after the MCODE DSKT 61 is processed.

```
18          SYSTEM/36 CONFIGURE-CUSTOMIZE PROGRAM
```

```
          Configure-customize completion
```

```
You have completed configure-customize
```

```
Note: Any patches or MPTF's that were applied to the disk  
      have been destroyed. MPTF's must be reapplied.
```

```
Press the Enter key to start  
the Checkout program.
```

You do not need to apply or reapply any patches or MPTFs at this time. A *patch* or *MPTF* is a diskette that supplies a microcode program temporary fix when applied.

Press the Enter key.

6.8

Display 51 appears.

51	SYSTEM/36 CHECKOUT PROGRAM
	Device Checkout Selection Menu
Select one of the following options and press the Enter key:	
	1. Work station
	2. End checkout
Option: _	

Do not select an option for display 51 at this time.

- You have completed this task.
- IPL the system and run SYSTEST for 10 minutes, see *5363 System Unit Maintenance Information Manual*, SY31-9054.
- Return machine to customer.

READER'S COMMENT FORM

Please use this form only to identify publication errors or to request changes in publications. Direct any requests for additional publications, technical questions about IBM systems, changes in IBM programming support, and so on, to your IBM representative or to your IBM-approved remarketer. You may use this form to communicate your comments about this publication, its organization, or subject matter, with the understanding that IBM may use or distribute whatever information you supply in any way it believes appropriate without incurring any obligation to you.

- If your comment does not need a reply (for example, pointing out a typing error), check this box and do not include your name and address below. If your comment is applicable, we will include it in the next revision of the manual.
- If you would like a reply, check this box. Be sure to print your name and address below.

Page number(s):

Comment(s):

Please contact your IBM representative or your IBM-approved remarketer to request additional publications.

Name _____

Company or
Organization _____

Address _____

City

State

Zip Code

Phone No. _____

Area Code

Fold and tape. **Please do not staple.**



NO POSTAGE
NECESSARY
IF MAILED IN THE
UNITED STATES

BUSINESS REPLY MAIL

FIRST CLASS / PERMIT NO. 40 / ARMONK, NEW YORK

POSTAGE WILL BE PAID BY ADDRESSEE

International Business Machines Corporation

Information Development
Department 245
Rochester, Minnesota, U.S.A. 55901



Fold and tape. **Please do not staple.**

Cut Along Line

Cut Along Line

READER'S COMMENT FORM

Please use this form only to identify publication errors or to request changes in publications. Direct any requests for additional publications, technical questions about IBM systems, changes in IBM programming support, and so on, to your IBM representative or to your IBM-approved remarketer. You may use this form to communicate your comments about this publication, its organization, or subject matter, with the understanding that IBM may use or distribute whatever information you supply in any way it believes appropriate without incurring any obligation to you.

- If your comment does not need a reply (for example, pointing out a typing error), check this box and do not include your name and address below. If your comment is applicable, we will include it in the next revision of the manual.
- If you would like a reply, check this box. Be sure to print your name and address below.

Page number(s):

Comment(s):

Please contact your IBM representative or your IBM-approved remarketer to request additional publications.

Name _____

Company or
Organization _____

Address _____

City _____

State _____

Zip Code _____

Phone No. _____

Area Code _____

Fold and tape. **Please do not staple.**

Cut Along Line



NO POSTAGE
NECESSARY
IF MAILED IN THE
UNITED STATES



BUSINESS REPLY MAIL

FIRST CLASS / PERMIT NO. 40 / ARMONK, NEW YORK

POSTAGE WILL BE PAID BY ADDRESSEE

International Business Machines Corporation
Information Development
Department 245
Rochester, Minnesota, U.S.A. 55901

Fold and tape. **Please do not staple.**

Cut Along Line

READER'S COMMENT FORM

Please use this form only to identify publication errors or to request changes in publications. Direct any requests for additional publications, technical questions about IBM systems, changes in IBM programming support, and so on, to your IBM representative or to your IBM-approved remarketer. You may use this form to communicate your comments about this publication, its organization, or subject matter, with the understanding that IBM may use or distribute whatever information you supply in any way it believes appropriate without incurring any obligation to you.

- If your comment does not need a reply (for example, pointing out a typing error), check this box and do not include your name and address below. If your comment is applicable, we will include it in the next revision of the manual.
- If you would like a reply, check this box. Be sure to print your name and address below.

Page number(s):

Comment(s):

Please contact your IBM representative or your IBM-approved remarketer to request additional publications.

Name

Company or
Organization

Address

City

State

Zip Code

Phone No.

Area Code

Cut Along Line

Fold and tape. **Please do not staple.**



NO POSTAGE
NECESSARY
IF MAILED IN THE
UNITED STATES



BUSINESS REPLY MAIL

FIRST CLASS / PERMIT NO. 40 / ARMONK, NEW YORK



POSTAGE WILL BE PAID BY ADDRESSEE

International Business Machines Corporation
Information Development
Department 245
Rochester, Minnesota, U.S.A. 55901

Cut Along Line

Fold and tape. **Please do not staple.**





5363 System Unit Installation
Instructions for Feature Cards

International Business Machines Corporation

Order Number
SY31-9058-0

Stampato da IBM, Italia S.p.A.
S. Palomba